

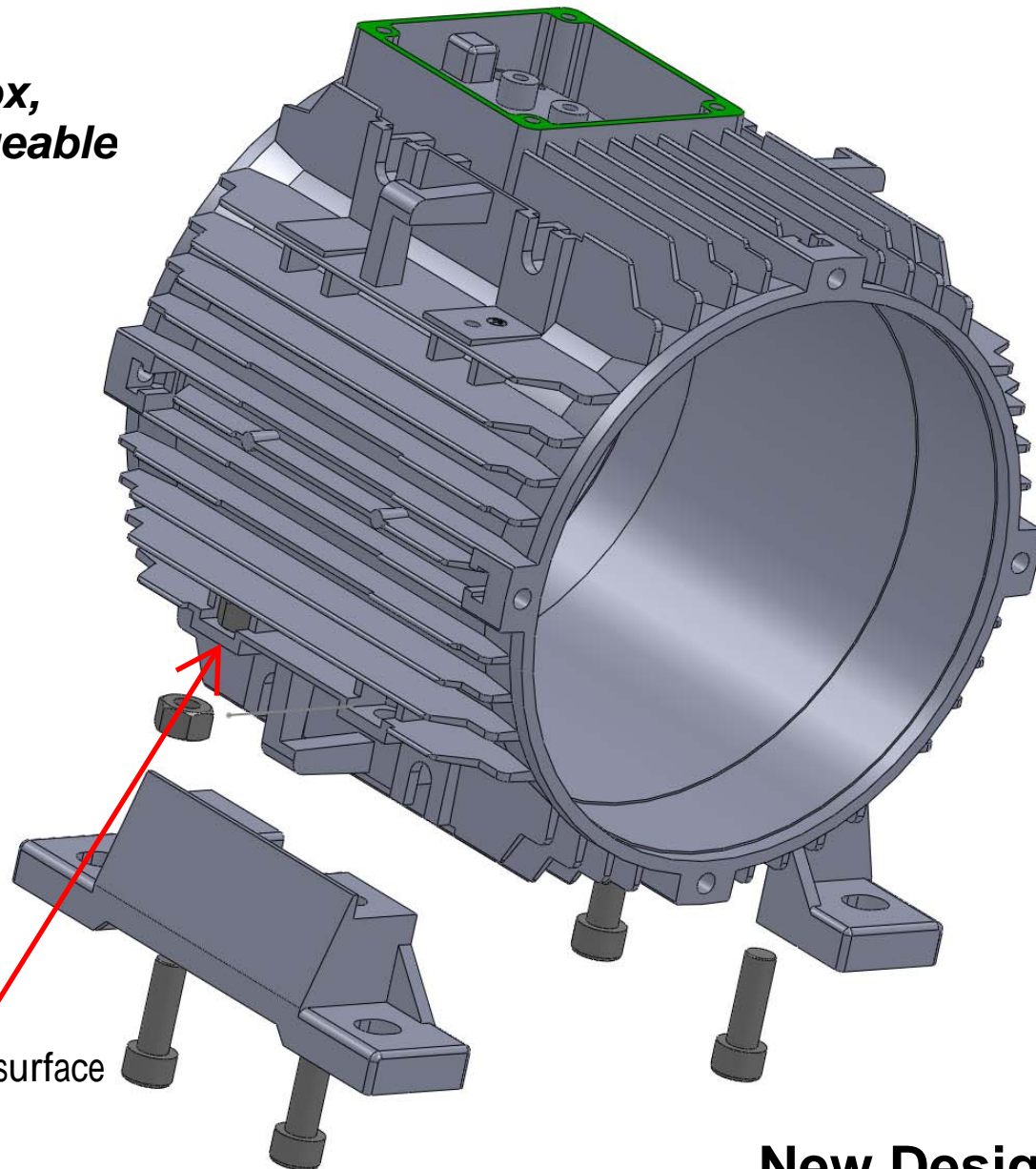
TA NEW DESIGN

The Advantages of New Designing for TA Series

Note : Except the housing, T-Box, and Feet, all others are exchangeable with old TA Series motor

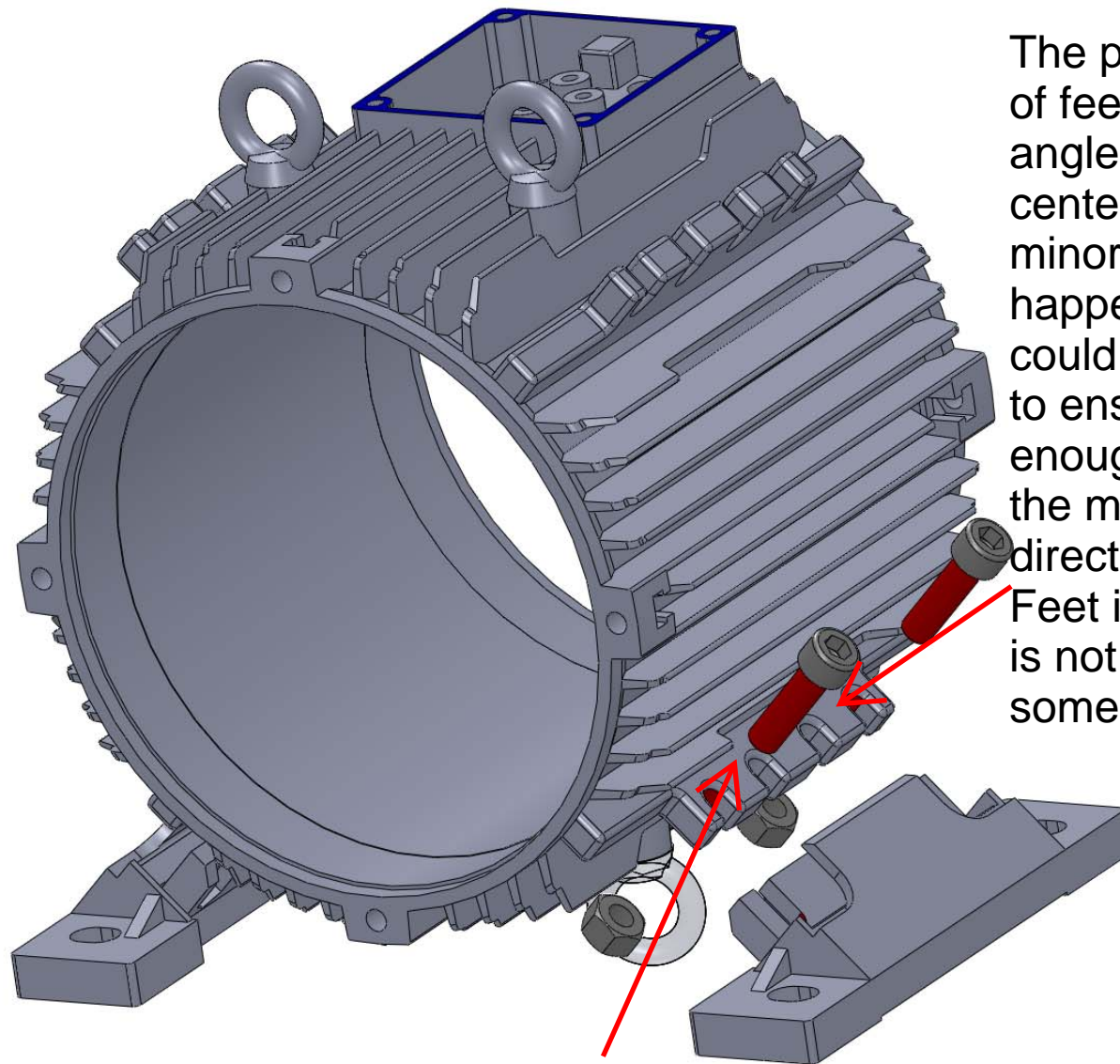
The positioning surface of feet installation is parallel with the housing center line, easy and stable positioning to ensure the feet bottom surface even and stable enough when change the motor installation direction; Feet installation strength is strong enough for any application

Feet installation position surface



New Designing





The positioning surface of feet installation is 45° angle with the housing center line, once any minor housing deforming happened, this angle could not be guaranteed to ensure the feet even enough when change the motor installation direction;

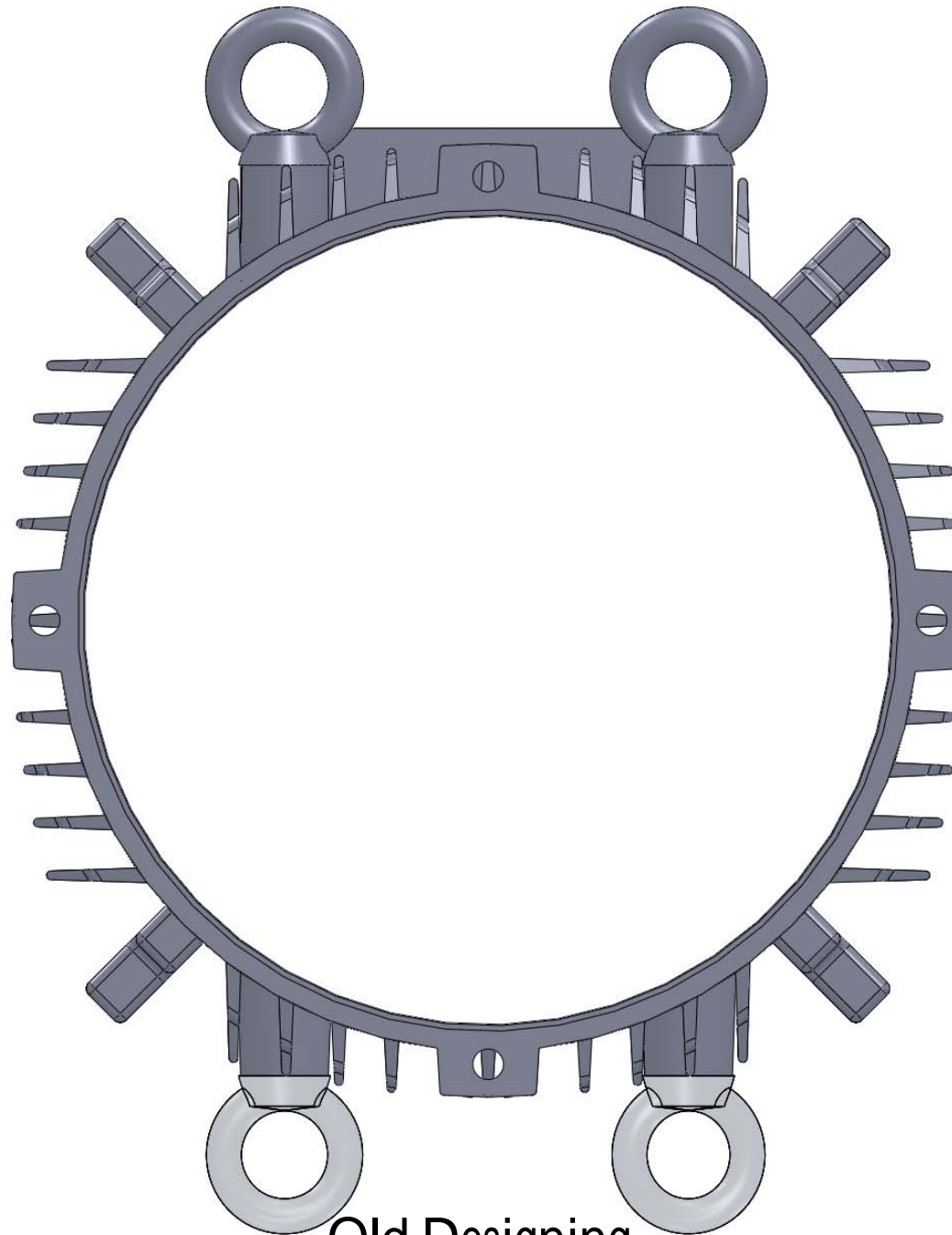
Feet installation strength is not strong enough for some special application

Feet installtion position surface

Old Designing



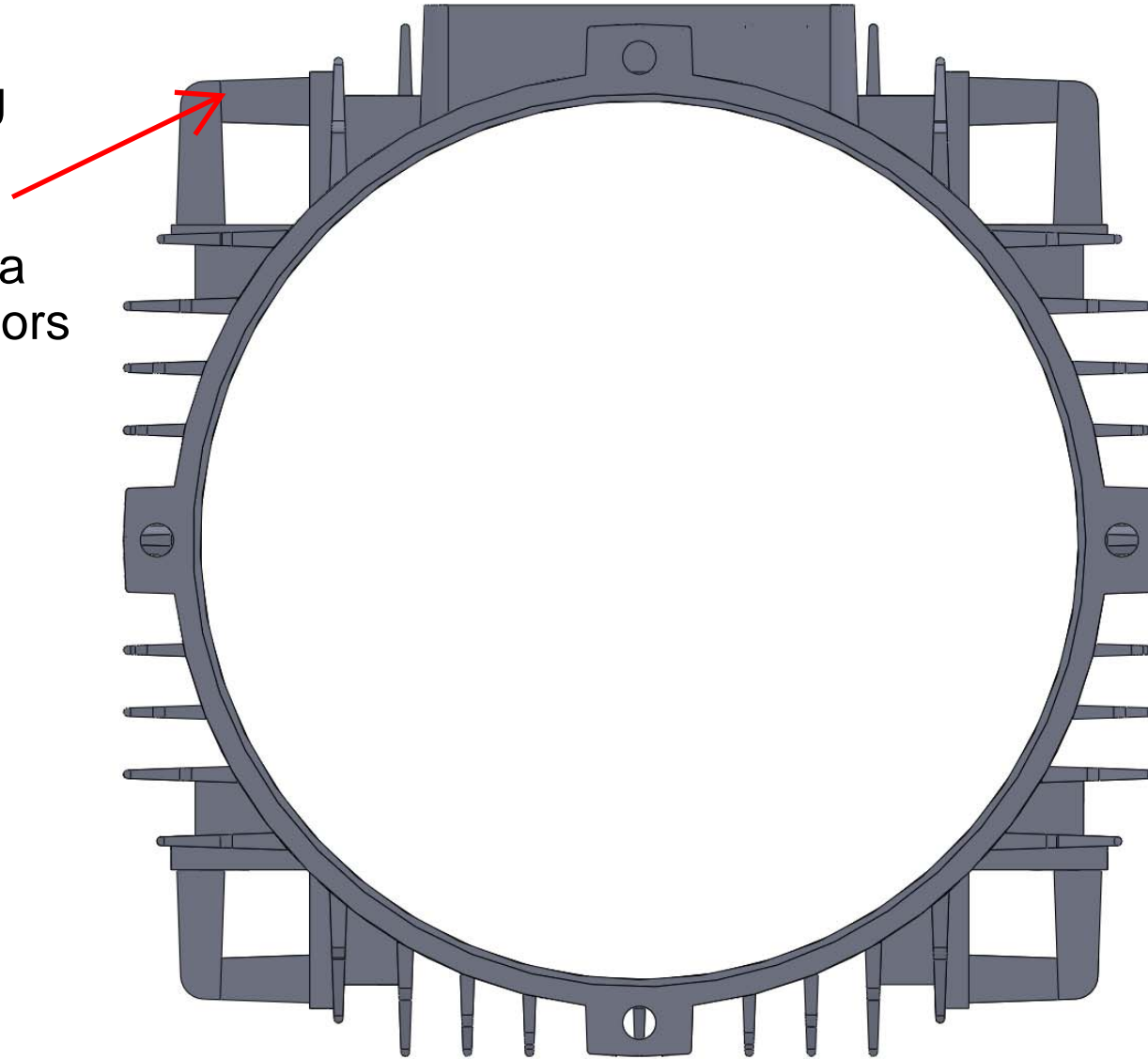
Need two (2) Flying Rings, when change the installation direction, has to change the Flying Rings position;
The old fasion designing in round sqare section type.



Old Designing



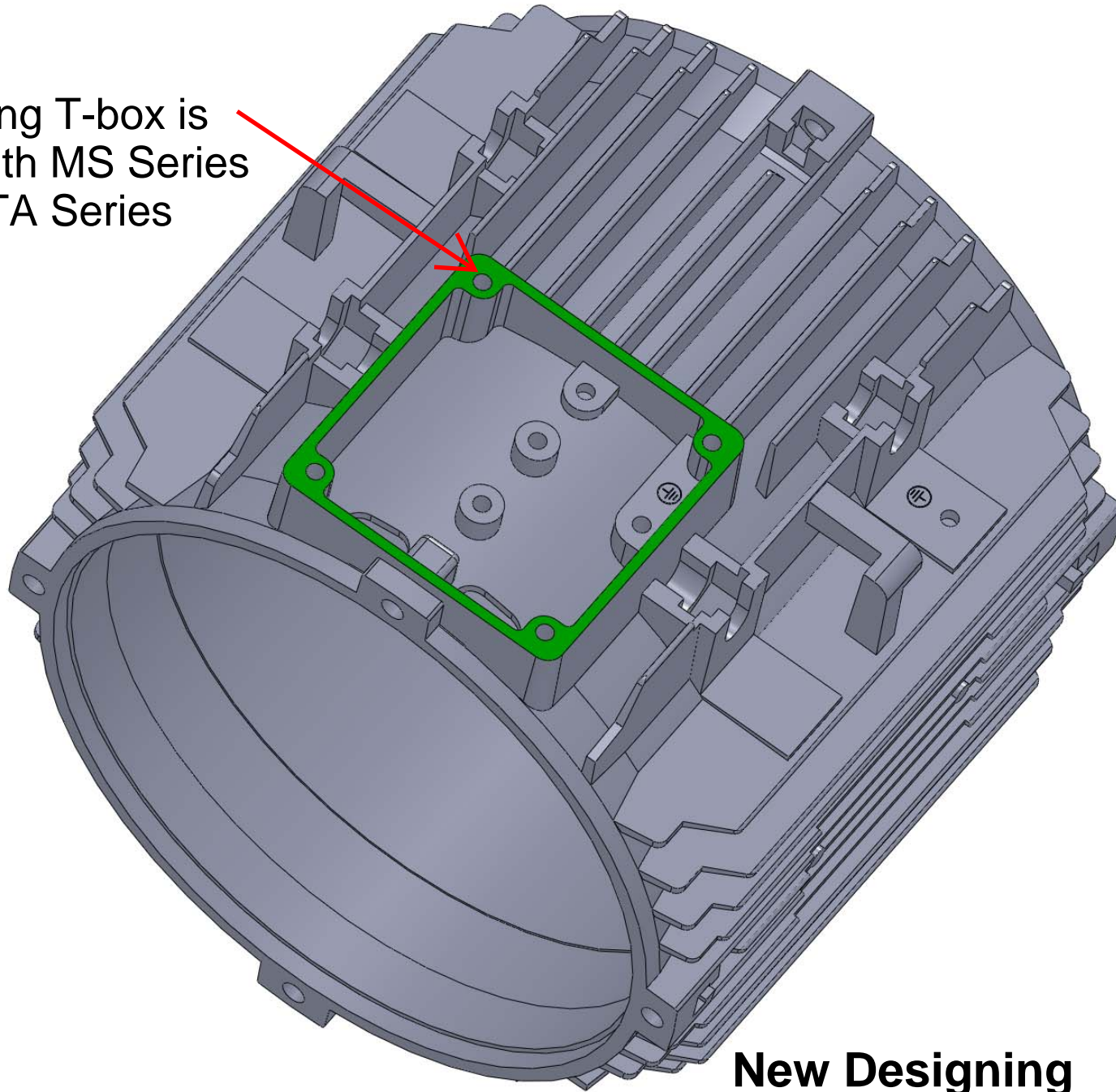
A fasionable Designing
with square section;
Succinct lifting eye
Designing guaranteed a
easy handle of the motors
(frame 100 and above)
regardless the T-box
Direction.



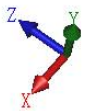
New Designing



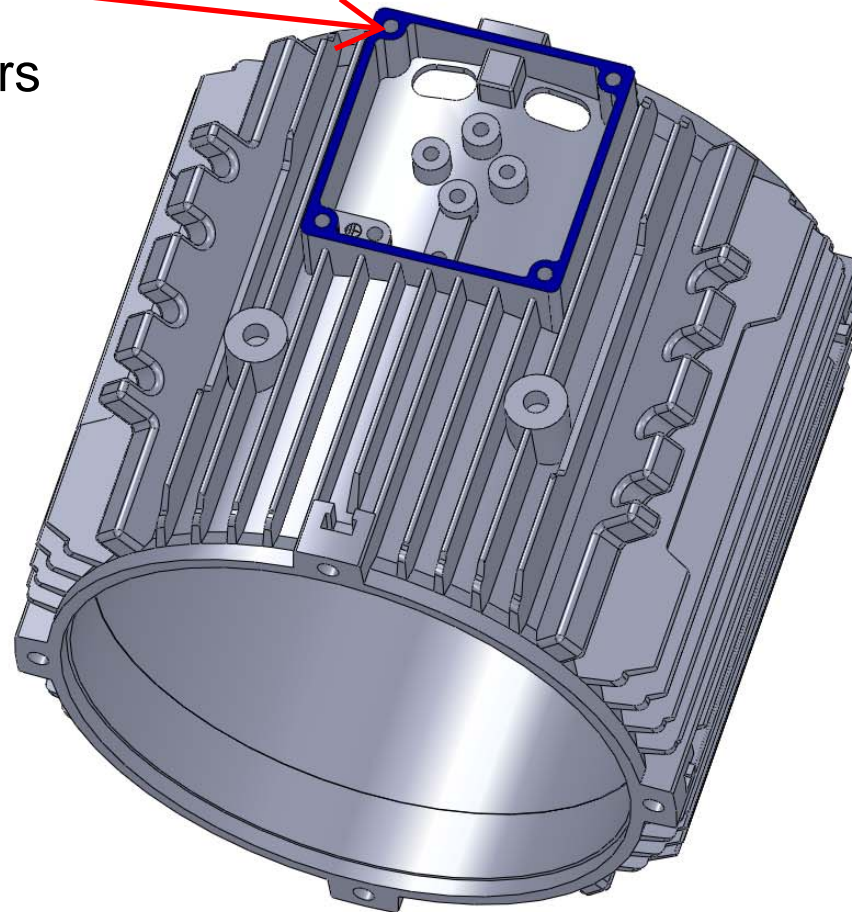
The new designing T-box is exchangeable with MS Series but not with old TA Series



New Designing



The old TA Series T-Box connection dimension is not compatible with MS Series Motors



Old TA Series

